

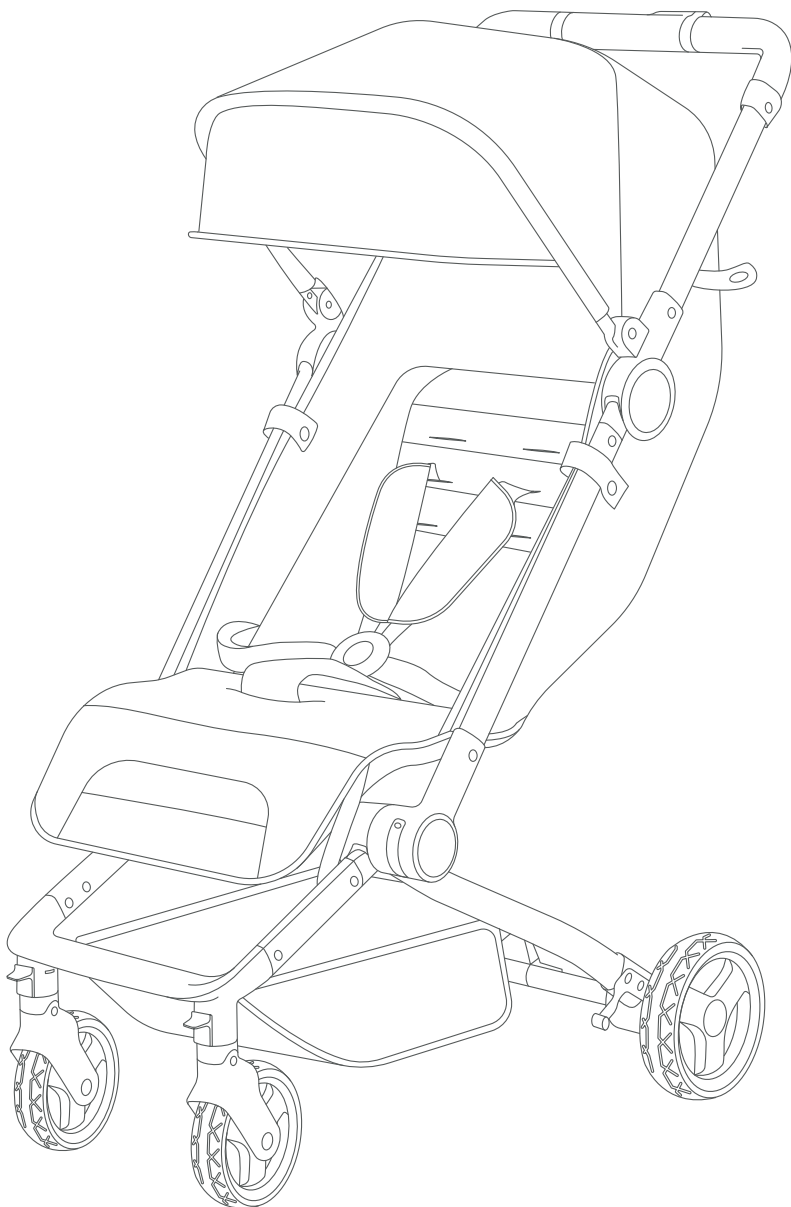
EDWARDS & CO

# Use + Care Guide

---

# Otto

EC102



NZ AU



## **IMPORTANT**

- Keep these instructions for future reference.
- Always follow the manufacturer's instructions.
- Read all instructions carefully before assembly and use of this stroller.
- Check that all items are present and undamaged.
- The correct use and maintenance of this product is essential.

Suitable for children from 0kg to 22kg

Independently safety tested for compliance with the Australian and New Zealand Standard AS/NZS 2088:2013

# Welcome

---

Thank you for choosing Edwards & Co;  
your family is now part of ours.

Edwards & Co started from humble beginnings in 2014 and has grown to include a team of people dedicated to bringing you the best for your baby. Our products are designed to impress, designed to last and designed to change. More importantly, they're designed for real-life families. No gimmicks, just good quality products with useful, easy to use features.

To make sure you get the most out of Otto, please refer to this Use & Care guide when using your stroller.

Because Otto will be your stroller for years to come, we hope to hear from you along the way, so feel free to contact us via any of the channels below if you'd like to get in touch.

We're so glad you came along for the ride.

**From the team  
at Edwards & Co.**



“Otto is the ultimate all-rounder! After watching parents struggle at airports juggling their bags and toddlers, I wanted to design a product they could take with them and easily fold with one hand. It has been our perfect travel companion with the kids!”

*Mark Edwards*

Mark Edwards / Founder

# Contents

---

<b>Welcome</b>	<b>3</b>
<b>Warnings: Australia/New Zealand</b>	<b>5</b>
<b>General warnings and safety precautions</b>	<b>6</b>
<b>What's in the box</b>	<b>8</b>
<b>Otto stroller components</b>	<b>9</b>
<b>Using the Otto stroller</b>	<b>10</b>
Attaching the front wheels	11
Attaching the rear wheels	11
Removing the front wheels	12
Removing the rear wheels	12
Unfolding the stroller	13
Folding the stroller	14
Reclining the seat	16
Adjusting the footrest	16
Using the harness buckle	17
Adjusting the shoulder strap height	18
Adjusting the harness straps	19
Using the parking brake	20
Using the front wheel swivel lock	21
Carrying the stroller	22
<b>How to care for and maintain your stroller</b>	<b>23</b>
<b>How to service your stroller</b>	<b>25</b>
Inspect your stroller at least once a month	25
Service your stroller at least once every 6 months	26
<b>WARRANTY</b>	<b>27</b>

# WARNINGS

## Australia/New Zealand

---



### TO AVOID INJURY OR DEATH

ALWAYS APPLY THE BRAKES WHEN THE STROLLER IS STATIONARY.

DO NOT LEAVE CHILDREN UNATTENDED.

SECURE THE CHILD IN THE HARNESS AT ALL TIMES.

DO NOT CARRY EXTRA CHILDREN OR BAGS ON THIS STROLLER.

MAKE SURE CHILDREN ARE CLEAR OF ANY MOVING PARTS IF YOU ADJUST THIS STROLLER.

USE THE HARNESS AT ALL TIMES.

USE THE STRAP TO STOP THE STROLLER ROLLING AWAY.

# General warnings and safety precautions

---



## TO AVOID INJURY OR DEATH

### Maximum weight limits

Child using this stroller: **22kg**

Capacity of the storage basket: **2kg**

Capacity of the canopy pocket: **1kg**

### Minimum age limits

The stroller is suitable for a child from newborn.

### Releasing a child quickly in an emergency

Make sure the buckle is easy to access. It is important that your child can be released quickly in an emergency.

### Keeping fingers away from moving parts

Take care of fingers and **NEVER** let a child fold or unfold the stroller. Fingers may jam in moving parts when folding or unfolding the stroller.

### Do not use the stroller as a substitute baby cot or bed

The stroller is only designed to transport children safely. The stroller is not a baby cot or bed.

### Using the harness safely

To avoid serious injury, always use the safety harness when your child is in the stroller. Always adjust the straps to fit firmly to your child's body size. A loose restraint or harness is **DANGEROUS**.

Never leave a harness connected when not fitted to a child in the stroller. The harness can form loops which may be a strangulation hazard.

### Keeping the stroller stable

Do not place or attach weight on the handle or side of the stroller. Doing so may make the stroller's frame unstable. Only use approved Edwards & Co accessories.



## **Using the stroller on surfaces**

Do not use this stroller on escalators, or on moving or mechanical conveyer belts. Always take your child out of the stroller when on stairs.

This stroller is designed for use on flat and gentle sloping surfaces. Take care on higher sloping or uneven surfaces. These surfaces increase the risk of the stroller tipping.

## **Using the stroller on sand and near or in salt water**

Store your stroller in a sheltered dry place and avoid beach use. Salt water or excessive moisture may cause corrosion on the fastenings and moving parts of this stroller. The manufacturer's warranty does not cover corrosion caused by environmental factors such as salt water or sand.

Never rinse the frame, wheels or housings with water. Water and/or debris can interfere with the internal mechanisms, including the brakes and damage your stroller.

## **Keeping the stroller away from fire and extreme heat**

Do not store the stroller in areas where high temperatures may occur. Examples are a roof space, or beside shed walls that can get hot.

## **Approved accessories**

Only use accessories approved by Edwards & Co.

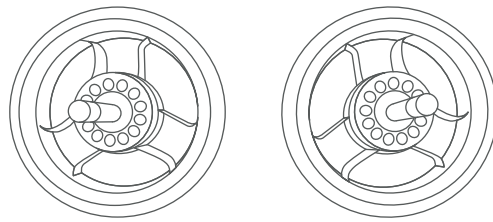
# What's in the box

---

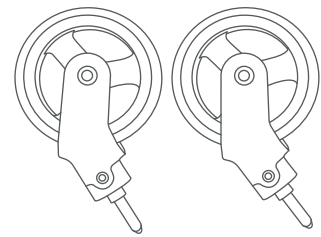
**Note:** Check that all items are present and undamaged.

---

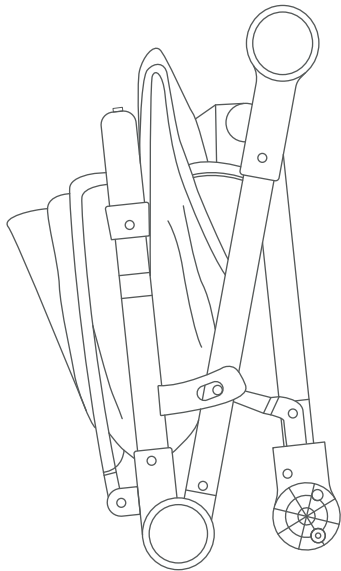
Use + Care Guide  
(this instruction  
manual)



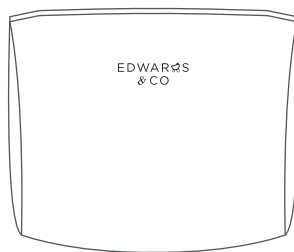
2 x Rear Wheels



2 x Front Wheels



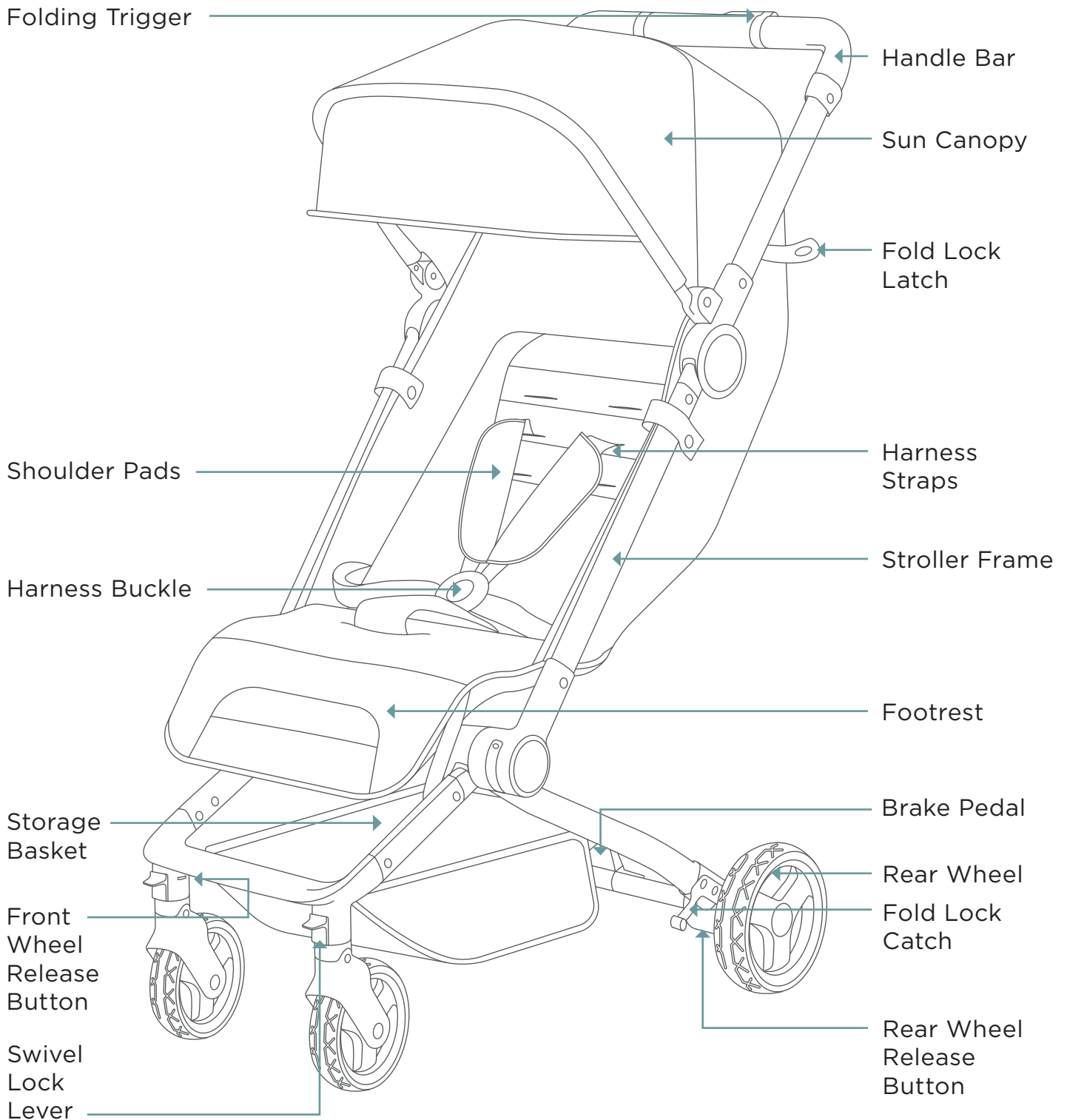
1 x Stroller Frame  
with Seat Unit and  
Canopy attached



1 x Travel Bag



# Otto stroller components

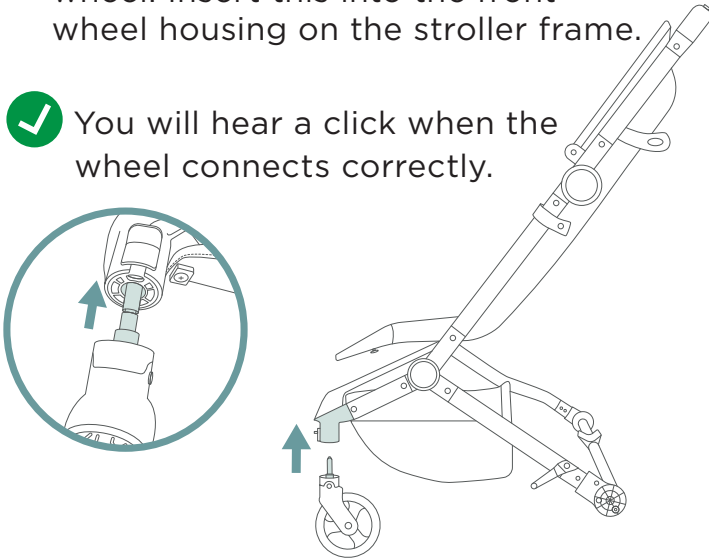


# Using the Otto Stroller

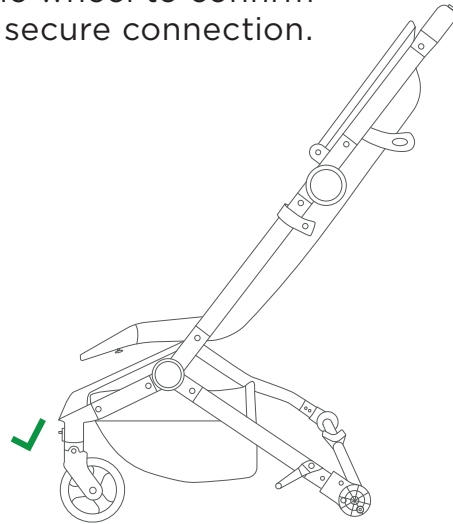
# Attaching the front wheels

1. Locate the metal pin on the front wheel. Insert this into the front wheel housing on the stroller frame.

✓ You will hear a click when the wheel connects correctly.



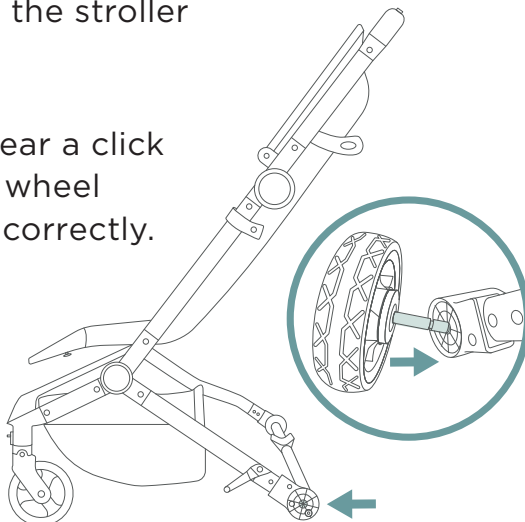
2. Once installed, pull the wheel to confirm a secure connection.



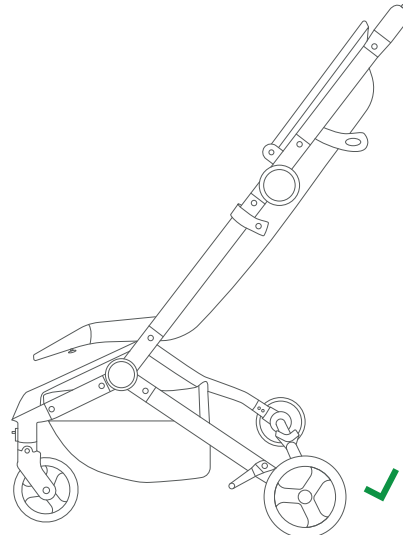
# Attaching the rear wheels

1. Locate the metal pin on the rear wheel. Insert this into the rear wheel housing on the stroller axle.

✓ You will hear a click when the wheel connects correctly.



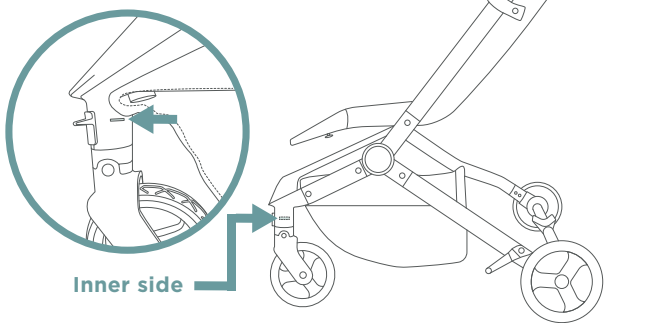
2. Once installed, pull the wheel to confirm a secure connection.



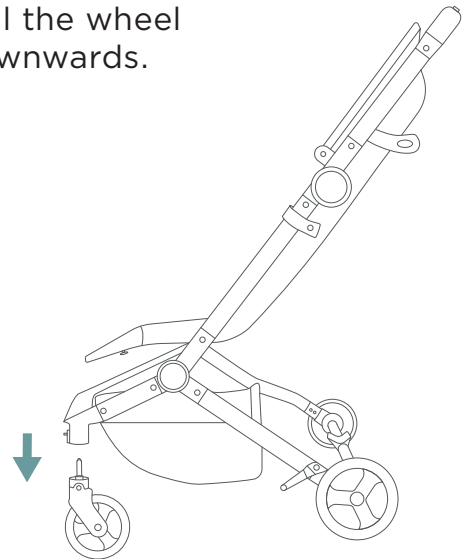
# Removing the front wheels

---

1. Press the metal wheel release button located on the inner side of the front wheel housing.



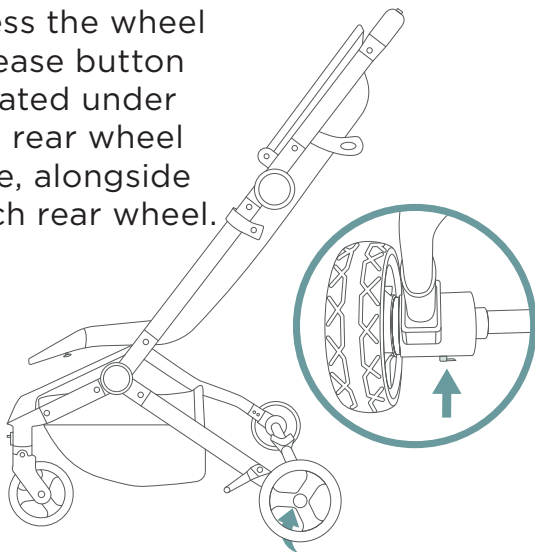
2. Pull the wheel downwards.



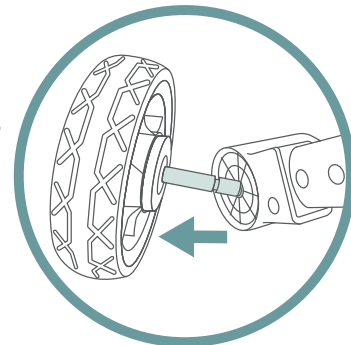
# Removing the rear wheels

---

1. Press the wheel release button located under the rear wheel axle, alongside each rear wheel.

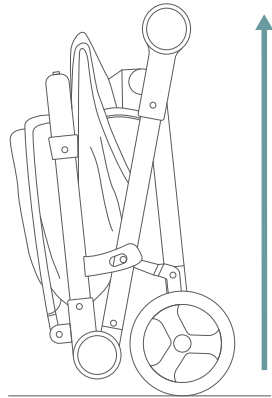


2. Pull the wheel outwards.

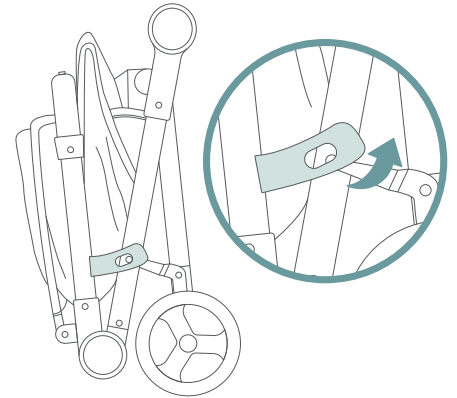


# Unfolding the stroller

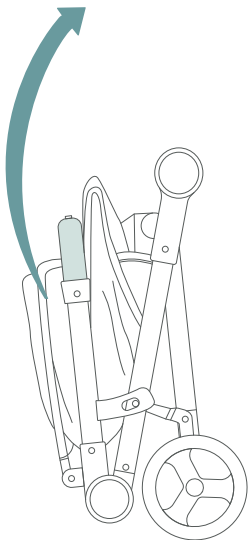
1. Stand the folded stroller upright with the wheels on the ground and the storage basket closest to you.



2. Locate the fold lock latch on the left side of the stroller frame. Lift this away from the catch.

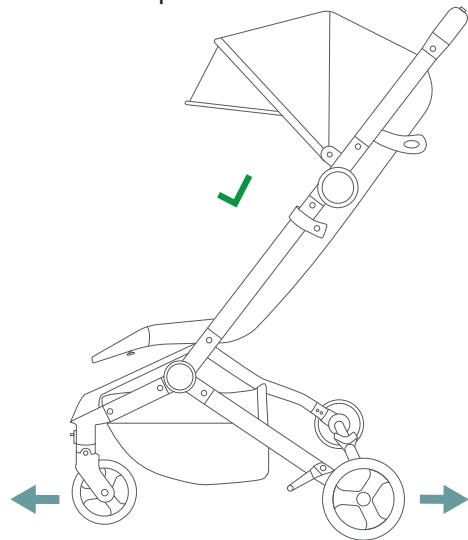


3. Pull the handle of the stroller upwards and back towards you.



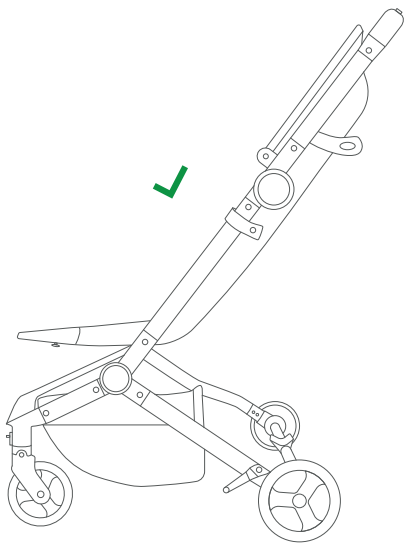
4. Move the stroller so the front wheels extend forward and the stroller frame clicks into place.

- ✓ You will feel the stroller frame lock into place.



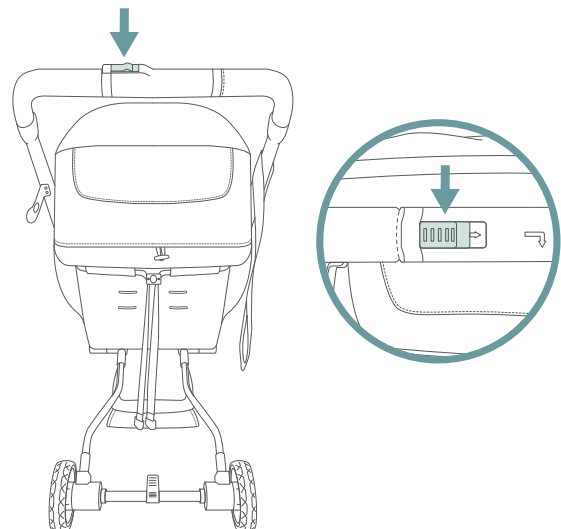
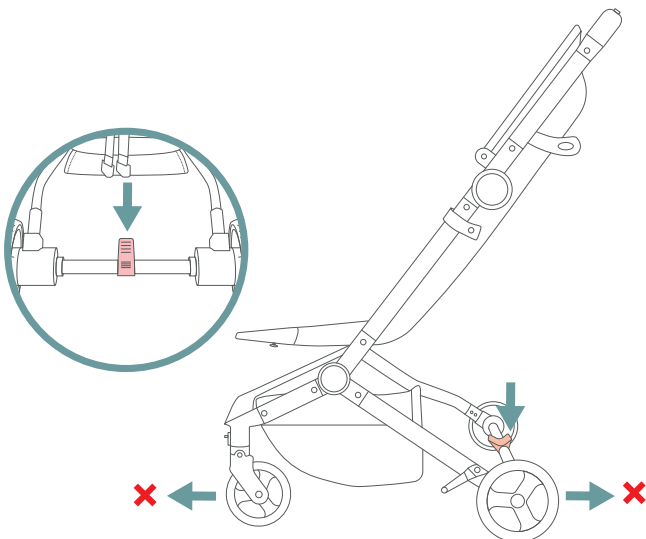
# Folding the stroller

**Note:** To fold the stroller, ensure the seat is in the most upright position, the footrest is level and the canopy is closed.

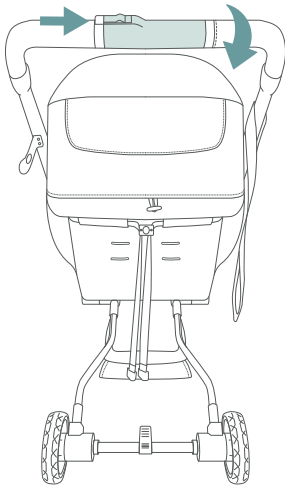


**1.** Engage the brake by pushing the red brake pedal down, towards you. Ensure the brake has locked both rear wheels. Push the stroller a little to make sure the brake is engaged.

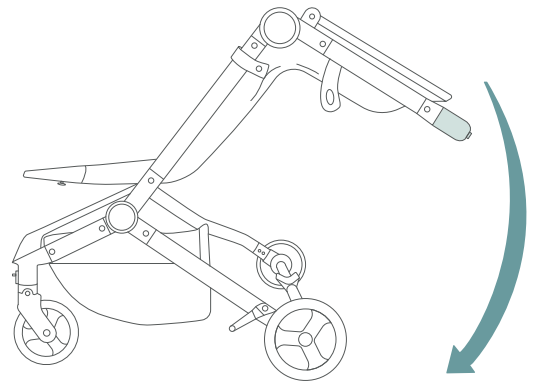
**2.** Locate the sliding fold trigger on the handlebar.



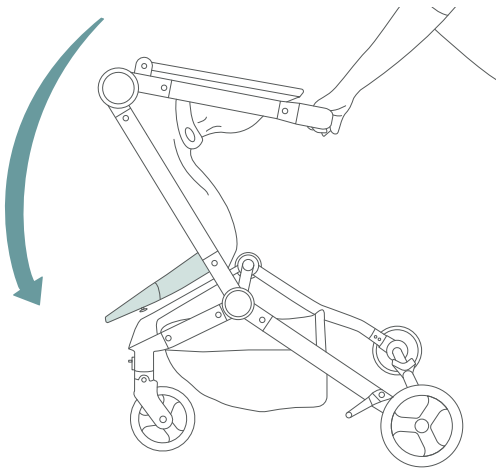
3. Press to release the trigger lock, slide the folding trigger to the right and simultaneously rotate the handle tubing downwards, towards the floor.



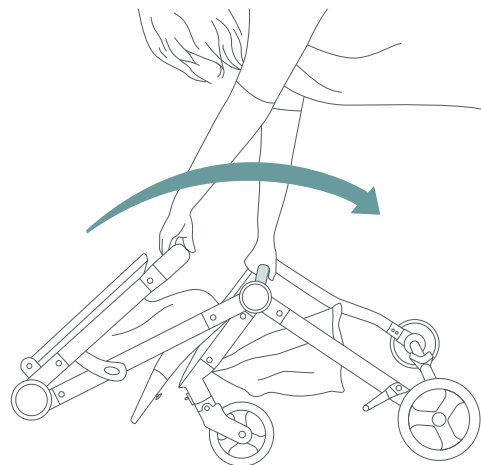
4. Lower the handlebar towards the floor.



5. Fold the seat-back forwards over the seat pad.

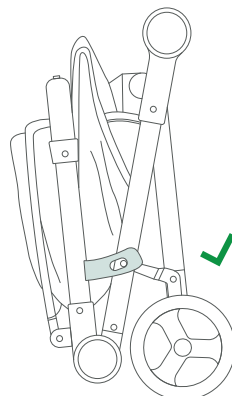


6. Hold the bar crossing the storage basket and use this to pull the stroller backwards towards you.



7. The stroller will collapse into a folded unit. Ensure the fold lock latch on the left side of the stroller's frame locks into place.

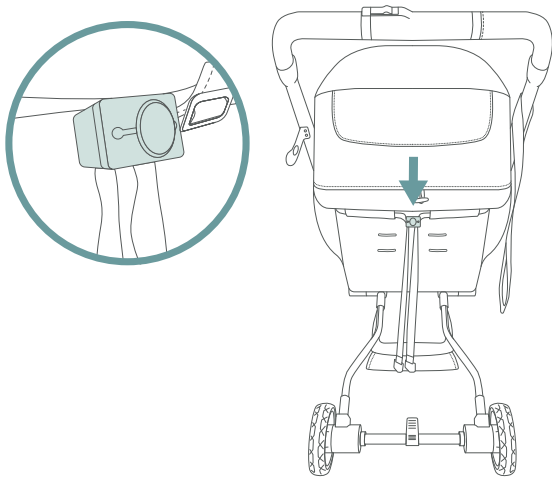
✓ When the fold lock is in place, the stroller will not unfold when you carry it.



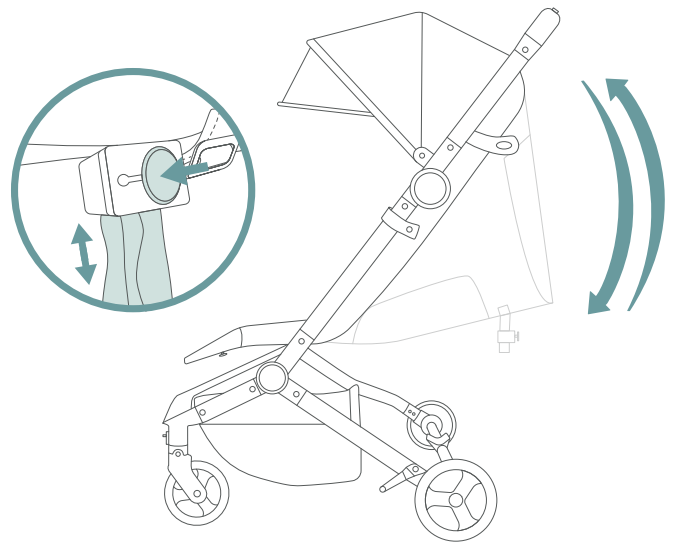
# Reclining the seat

---

1. Locate the plastic toggle on the webbing strap at the rear of the seat.



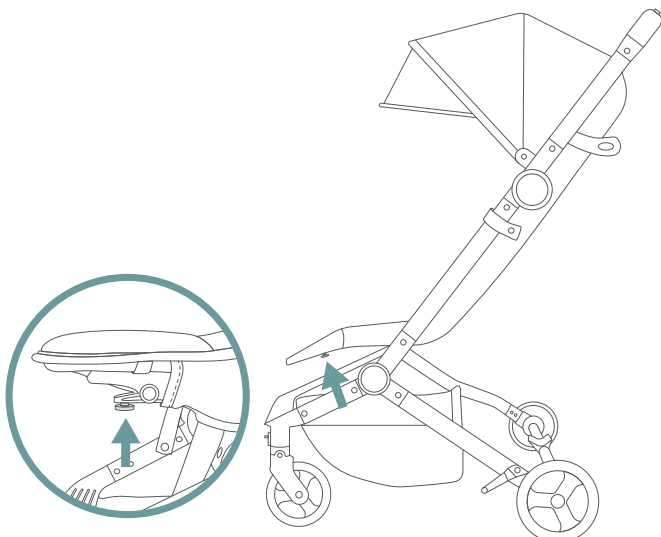
2. Press the button on the toggle and move this along the webbing strap to raise or lower the seat back into the desired position.



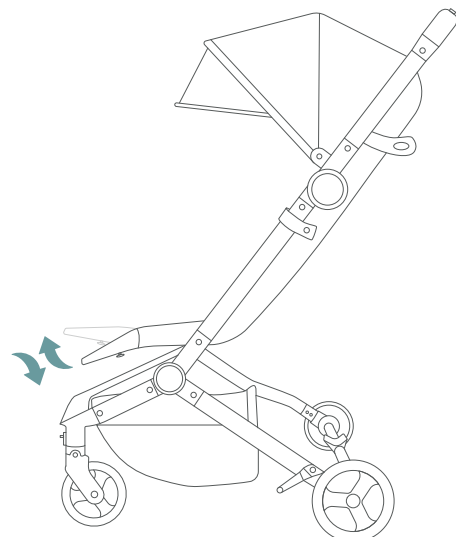
# Adjusting the footrest

---

1. Locate the two circular buttons on the underside of the footrest.



2. Press both buttons and simultaneously raise or lower the footrest to the desired position.



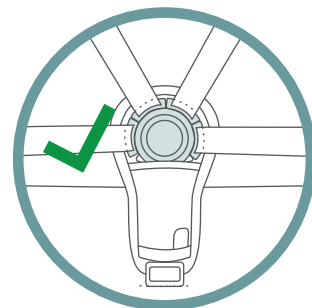
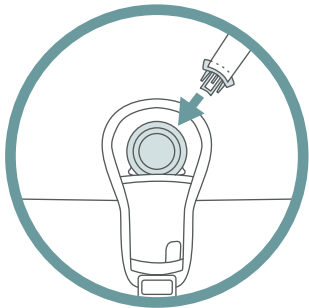


# Using the harness buckle

---

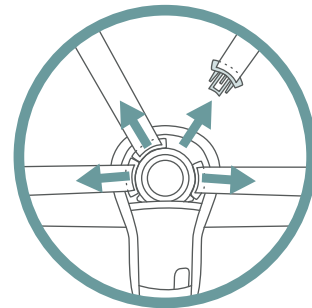
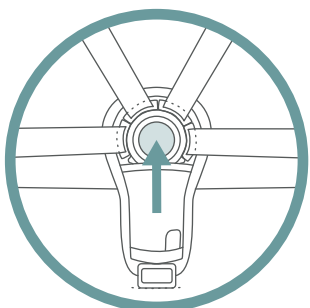
## Locking the buckle

1. Insert one harness tongue into the harness buckle until you hear a click.
2. Repeat step one for each of the remaining three harness tongues.



## Unlocking the buckle

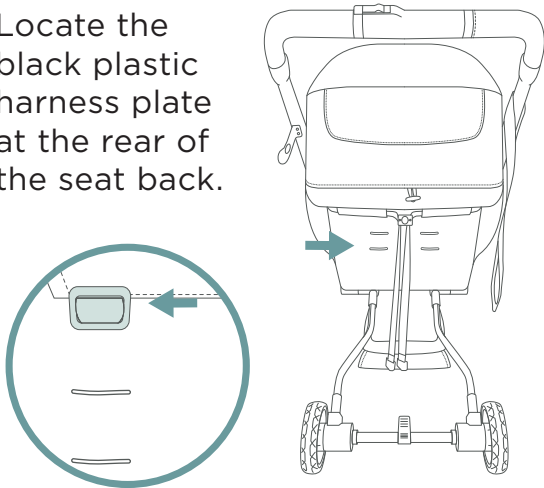
1. Push the button at the centre of the buckle.
2. Remove the four harness tongues.



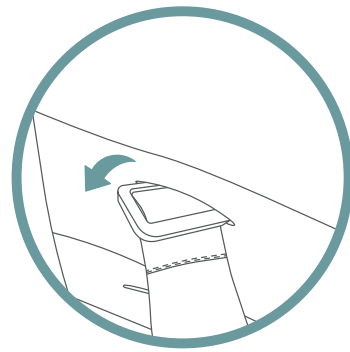
# Adjusting the shoulder strap height

**Note:** There are four height positions for the shoulder straps. As your child grows, it is necessary to move the shoulder straps according to your child's height. The shoulder straps should be positioned at about level or just above your child's shoulders.

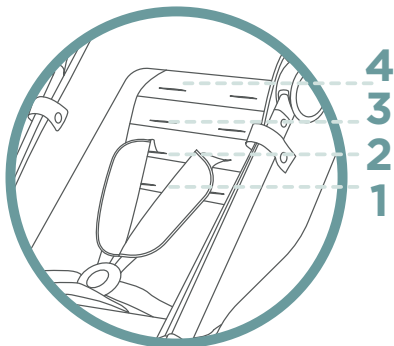
1. Locate the black plastic harness plate at the rear of the seat back.



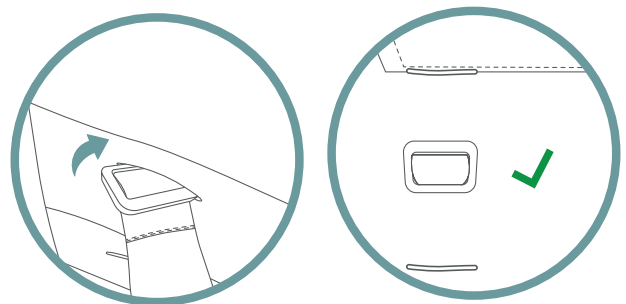
2. Twist this and insert it through the slot in the seat back to the front of the seat.



3. Locate the shoulder strap slot at the desired height.



4. Insert the harness plate through this slot to the rear of the seat back. Ensure the harness plate sits flat against the rear of the stroller back.



5. Repeat this for second shoulder strap.

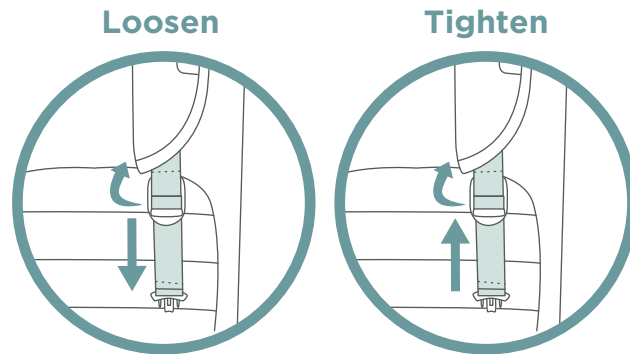
# Adjusting the harness straps

**Note:** The harness should be firm but not too tight around your child. It is adjusted correctly when you can fit two of your fingers between the harness and your child.

**WARNING:** Never leave a harness connected when not fitted to a child in the stroller. A connected harness can form loops which may be a strangulation hazard.

## Adjusting the hip and shoulder straps

1. Pull the webbing straps through the toggle on the hip or shoulder straps and adjust to the desired length.



## Adjusting the harness buckle strap

1. Pull the webbing straps through the toggle on the harness buckle strap and adjust to the desired length.

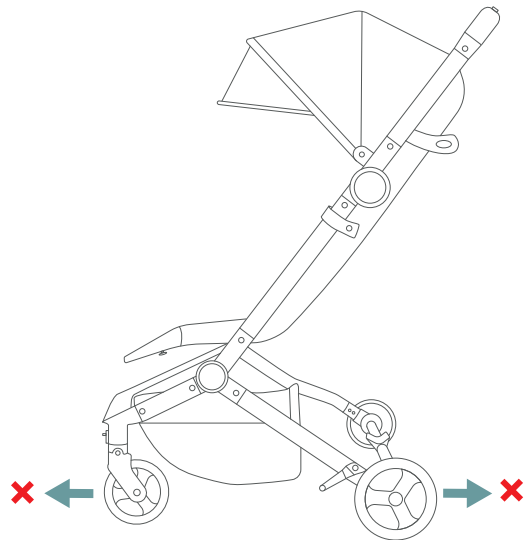
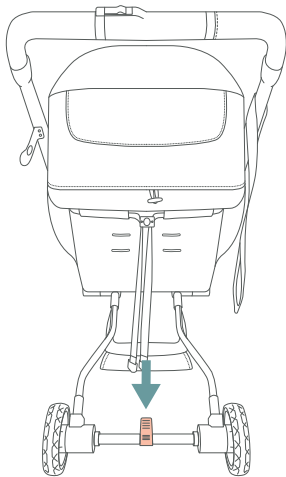


Correct fit for harness

# Using the parking brake

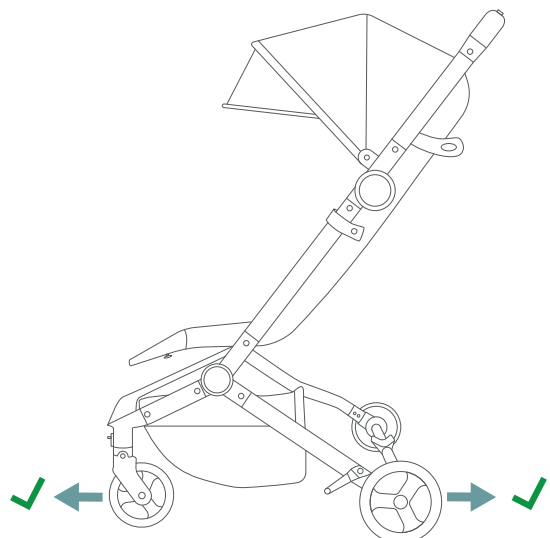
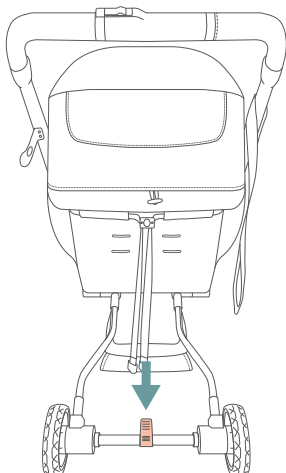
## Engaging the parking brake

1. Push the red brake pedal down with your foot, towards you.
2. Ensure the brake has locked both rear wheels. Push the stroller a little to make sure the brake is engaged and working.



## Releasing the parking brake

1. Push the red brake pedal down with your foot, away from you.
2. Ensure the brake has unlocked both rear wheels.

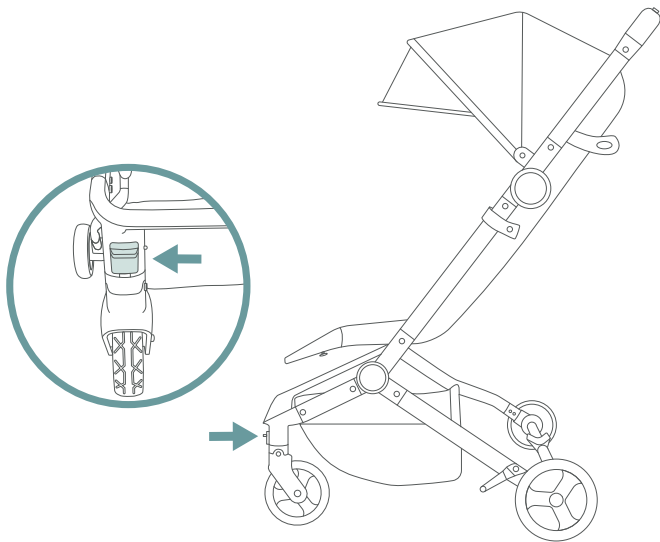


# Using the front wheel swivel lock

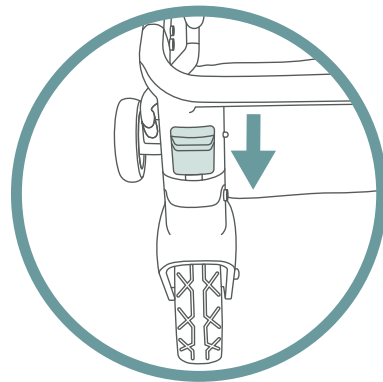
**Note:** The swivel locks are used to lock the front wheels into position or to release the front wheels to enable them to swivel freely.

## Engaging the front wheel swivel lock

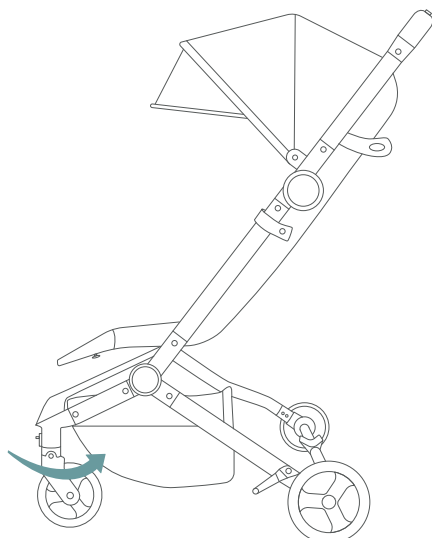
1. Locate the swivel locks on the front wheel housing.



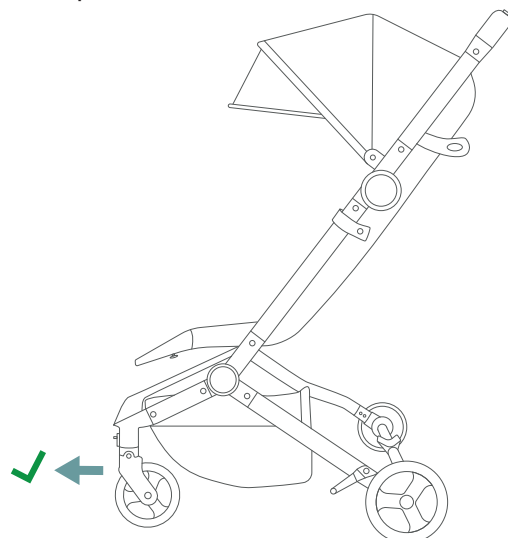
2. Slide the black lock lever downwards on both front wheels.



3. Swivel the front wheels until you hear the lock click into place.

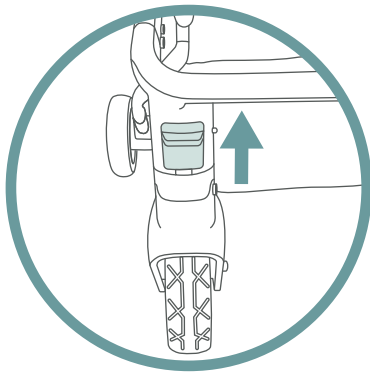


4. Push the stroller a little to make sure the front wheels are locked into position.



## Unlocking the front wheel swivel lock

1. Slide the black lock lever upwards on both front wheels.

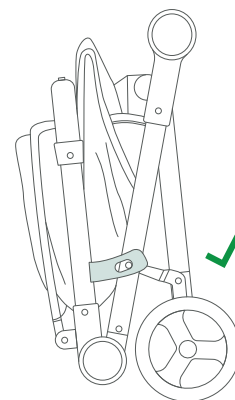
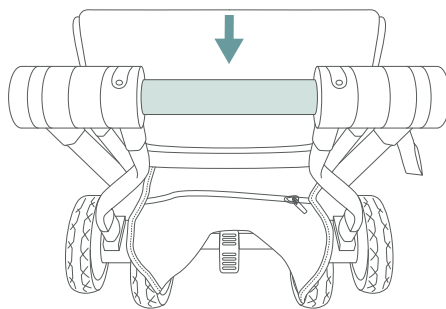


## Carrying the stroller

---

1. Hold the stroller by the bar positioned across the top of the stroller when folded.

- ✓ Check the fold lock latch is secure before you lift or carry the stroller.



# How to care for and maintain your stroller

---

## **Store your stroller and accessories carefully**

Store inside in a well-ventilated, dry area.

Do not store in a damp environment that is not well insulated (such as an unfinished basement or outdoor shed).

Store when dry, not damp or wet.

Store away from direct sunlight. Direct sunlight could cause fabric fading or damage.

Store away from carpet. Rubber on the wheels could leave marks on carpet.

Do not place heavy objects on top of your stroller or accessories.

**NEVER** allow your stroller to come into contact with corrosive substances.

Examples are battery acid or petroleum products. Corrosion is not covered under our warranty - see the **Warranty** in this Instruction Manual.

## **Clean your stroller carefully**

Use a damp cloth to clean the seat fabric and/or sun canopy. To dampen a cloth, dip the cloth in a small amount of mild detergent (such as laundry liquid).

**NEVER** fully soak the cloth in water.

**NEVER** clean any part of the stroller with abrasive, ammonia-based, bleach-based or spirit-based cleaners.

See care labels for specific instructions regarding machine washing.

## **Dry your stroller carefully**

Dry the stroller thoroughly before storing it.

**NEVER** tumble dry any part of the stroller.

**NEVER** wring any stroller fabrics.

## **Replace damaged or worn wheels immediately**

Stop using the stroller if any wheel becomes damaged or worn. Replace it immediately.

## **Check regularly for wear and tear**

Check regularly for wear and tear on all stroller parts.

## **Get your stroller inspected regularly**

Get your stroller inspected regularly to maintain it. Regular inspection ensures the locking devices are working correctly and essential components are secure. Please read **How to service your stroller** in this Instruction Manual.

## **Use your stroller in sunlight for short periods**

Always park your stroller in a shaded area. Only use your stroller in direct sunlight for short periods. This will help reduce fabric fading and damage.

## **Read our Servicing Guide before using the stroller on the beach or near salt water**

If you live within 3kms of the sea, take extra care to park/store your stroller indoors and away from wind. Salt water carries in strong winds and is extremely corrosive.

Do not use your stroller on the beach. Salt and moisture can damage moving parts. Even salty atmospheric conditions can affect the stroller's mechanisms.

**If you use your stroller in coastal areas, please read How to service your stroller in this Use & Care Guide.**



# How to service your stroller

---

Just like your car, regular service extends the life of your Edwards & Co stroller.

## **Inspect your stroller at least once a month**

We recommend that you fully inspect your stroller at least once a month.

Here are some helpful tips to inspect your stroller at home.

### **Inspect all the rivets and screws that connect your stroller together**

- Make sure all rivets and screws are clean, tight and secure.
- If corrosion is forming on any rivet or screw: Wipe the rivet or screw with a damp cloth. Leave the rivet or screw to dry overnight. Spray a rag with some WD-40. This applies an extra coating over the rivets and screws to help protect against corrosion.

### **Inspect the wheels**

- Remove the front and back wheels.
- Wipe the wheels with a clean rag to remove any dirt, sand or other debris.
- Wipe out the wheel housing.
- Rear wheels only: Spray the wheel pins with some WD-40. Spraying will help to keep the wheel release mechanism operating smoothly.

### **Inspect the fold joints**

- Make sure the fold joints are free of dirt and debris.
- Wipe the fold joints clean with a damp cloth.
- Clean the fold joints when the stroller frame is folded.
- Apply some WD-40 or silicone spray (available at Bunnings, Mitre 10 or your local supermarket) to the moving hinges.

### **Inspect the metal components to help prevent rust**

- Rinse the frame, wheels and housing with fresh water after the stroller has been:
  - on a beach
  - in the rain
  - in windy and exposed areas.
- If you live or use the stroller within 3kms of the beach or sea: Spray a rag with WD-40 and wipe down all screws and rivets. This applies an extra coating over the rivets and screws to help protect against corrosion. Repeat this process monthly.

**WARNING:** Do not use the stroller on the beach. Sand and salt will interfere with moving parts.

### **Service your stroller at least once every 6 months**

We recommend you get your stroller serviced at least once every 6 months.

To get your stroller serviced, contact us at [hello@edwardsandcobaby.com](mailto:hello@edwardsandcobaby.com)

Our customer service team will offer assistance or make an appointment for you to visit our service team at our main office in Silverdale, Auckland.

We also host service days at retailers throughout New Zealand multiple times a year.

You will find the list of service days on our Events page:  
[edwardsandco.nz/pages/events](https://edwardsandco.nz/pages/events)

# Warranty

---

All Edwards & Co products are guaranteed for two years from the date of shipping against defects in material and workmanship.

If we determine that the product has a manufacturing fault, we will repair or replace it free of charge to you. The decision to repair or replace is solely at the discretion of Edwards & Co Proof of purchase must be provided.

The warranty is “return to base” and not a free in-home service. This means the customer is responsible for any inwards freight charge to return the product to an Edwards & Co representative for warranty or service.

Our warranty excludes claims resulting from misuse, abnormal use, overloading, general wear and tear (including scratches), child outgrowing the product, not following instructions, transportation damage (including airline or freight damage), poorly maintained product, dropped goods, negligence, second-hand product, modified product, colour fading, over inflation, mould, damage to handle foam in use or fabric cuts and tears. Our warranty also does not cover tyre punctures or corrosion to frames or fasteners as a result of atmospheric or environmental conditions.

Any replacement will not give the right for the warranty period to be extended.

Edwards & Co does not cover warranty if the product has been purchased second hand or from an unauthorised reseller.

For the complete terms and conditions of our warranty, please visit our website – [edwardsandco.nz/pages/warranty](https://edwardsandco.nz/pages/warranty)

## **Edwards & Co New Zealand**

Unit 5  
30 Foundry Road  
Silverdale 0932  
NEW ZEALAND  
NZ: (09) 869 8950  
[hello@edwardsandcobaby.com](mailto:hello@edwardsandcobaby.com)

## **Edwards & Co Australia**

C/O - G&S Logistics  
Unit 1, 96-112 Gow Street  
Padstow NSW 2211  
AUSTRALIA  
AU: (02) 9066 6702

# Designed with love

Watch helpful  
instructional videos



Come along on  
the journey



---

Visit our comprehensive support centre online

**[edwardsandcobaby.zendesk.com/hc/en-us](https://edwardsandcobaby.zendesk.com/hc/en-us)**

---